

Safety

- Do not cover the ground contact.
- Do not cover the luminaire, hang or fasten anything from it.
- Do not operate if any visible damage can be seen to the product.
- Do not operate if any water ingress has occurred.
- Do not operate if any smoke, steam or crackling noises can be heard from the luminaire.
- Do not operate if any signs of overheating are recognised.
- Avoid installation in any areas where there is a risk of strong mechanical loads.
- Do not place any material over the lens or LED diode/chip.
- Do not insert objects into the luminaire.
- Do not clean using any solvent based abrasive or aggressive product.
- Do not pull any cables connected to the product.
- Do not direct the luminaire into a persons eyes, as this unit may have an intense light output, which if incorrectly used may cause eye damage.
- Light engines/LED'S and other light sources may heat up, please take care when handling the products.
- The manufacturer will not be deemed liable or held responsible for any damages caused by faults or manufacturing defects that may be present in any of its products or the misuse or incorrect installation of this device. Please refer to our trouble shooting guide for further information.
- The manufacturer will not be held liable for any death(s) or injuries caused by misuse or poor installation or any unreported faults of this product version or versions thereof.
- LED's are sensitive to electrostatic discharge. Do not touch the surface of the LED module.
- Do not connect to a temporary electricity supply, this may damage the electronics.
- Light fittings with an integrated emergency option are with a separate installation and wiring leaflet. Please refer to this manual for further details. If the manual is unavailable please contact an ALL LED representative for assistance.
- It is strongly recommended that a Residual-Current Device (RCD) is used with this product to minimise the risk of electrocution.
- REPLACE DAMAGED PRODUCT IMMEDIATELY.
- Keep away from children.

Returns & Faulty Items

- If any problem is encountered during or after installation, please call ALL LED technical department to get the problem resolved ASAP.
- Please do not just return the item to the outlet you purchased it from, as you are only entitled to a replacement or refund after the unit has undergone testing and the unit has been confirmed as having a manufacturing defect/fault. Your statutory rights are not affected.
- The manufacturer will not be deemed liable or held responsible for any damages caused by faults or manufacturing defects that may be present in any of its products or the misuse or incorrect installation of this device. Please refer to our trouble shooting guide for further information.
- All installations must be carried out in accordance with this installation guide and user manual.
- All goods are supplied under the terms and conditions of ALL LED LTD, a copy of which may be obtained upon written request.



ALL LED LTD
42 Sedgwick Road,
Luton, LU4 9DT

www.allledgroup.com
sales@allledgroup.com
Tel: +44 (0)208 841 9000



This product supplied with a limited 2 year guarantee, subject to terms and conditions. The manufacturer will not be deemed liable or held responsible for any damages caused by faults or manufacturing defects that may be present in any of its products or the misuse or incorrect installation of this device. Your statutory rights are not affected.

Environmental Protection
Waste electrical products should not be disposed of with household waste. Please recycle where facilities exist. Check with your Local Authority or retailer for recycling advice

ISOLATE MAINS SUPPLY BEFORE HANDLING ANY ELECTRICAL PRODUCTS



INSTALLATION GUIDE ABP20WH/40 RANGES



ENSURE POWER SUPPLY IS OFF WHEN HANDLING ANY ELECTRICAL EQUIPMENT

- This product may need to be installed by a qualified electrical installer.
- Please read this guide in its entirety to fully understand the products before attempting any install.
- All electrical work should be completed in accordance with the latest IET regulations, and/ or any other relevant rules, regulations or laws of the country in which it is being installed.
- The item must be installed in isolation from any insulating material and is adequately ventilated to prevent premature failure.
- Ensure power supply is isolated prior to installation, maintenance or performing any other form of electrical work.
- In the event of incorrect or improper function with specific regard to any of ALL LED'S products and contact ALL LED for further advice.

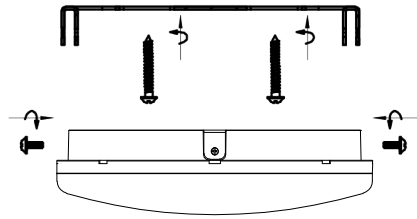
SAFETY WARNING

- ENSURE THE PROTECTIVE PLASTIC PLATE LOCATED ON TOP OF THE LED'S IS NEVER REMOVED OR TAMPERED WITH.**
- IF THERE IS ANY VISIBLE DAMAGE TO THIS ITEM, PLEASE ENSURE THAT THE POWER IS SWITCHED OFF AND REMAINS OFF. IMMEDIATELY REPLACE THE UNIT.**
- DO NOT TOUCH THE LED CHIPS AT ANY POINT DURING, OR AFTER INSTALLATION OF THE LUMINAIRE AS THERE IS RISK OF ELECTRICAL SHOCK.**

Technical Specifications

PRODUCT CODE	ABP20WH/40
LUMINOUS FLUX	≤2200lm
*USEFUL LUMINOUS FLUX (SPHERE 360°)	≤2200lm
CCT	4000K
BEAM ANGLE	120°
SDCM	≤6
CRI	>80
PEAK INTENSITY	680cd
OPERATING VOLTAGE	220-240V
WATTAGE	20W
STANDBY POWER	0
POWER FACTOR	>0.5
FRAME COLOUR	White
CLASS	II
SWITCHING CYCLES	<100,000
INGRESS PROTECTION	IP65
AMBIENT OPERATING TEMPERATURE	-20°C ~ -40°C
INPUT FREQUENCY	50/60
GUARANTEE	2 YEARS
LIFE TIME	25,000H

Installation



We recommend checking the installation with the products for suitability prior to installation.

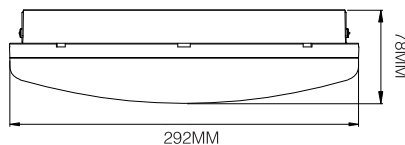
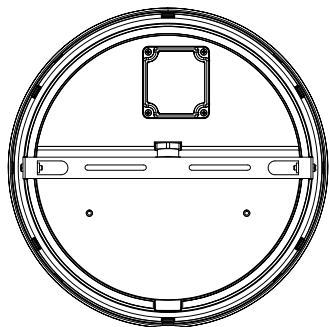
1. Turn off power supply at source to avoid any risk of electric shock.
2. Use the base plate to mark out and check the area receiving the luminaire.
3. Prepare the surface to receive the luminaire.
4. Affix the base using a suitable method and according to the material/ surface you intend to mount the product onto.
5. Remove plastic connection cover.
6. Wire the product into the lighting circuit according to relevant regulations.
7. Replace the plastic connection cover and screw the corner in firmly.
8. Tighten cable gland.
9. Place the fitting on the metal bracket and replace the retaining screws on the side of the fixture.
10. N.B. Please ensure that no damage has taken place of the baseplate and/or any of its protective plastic covers.
11. Turn the power supply back to the on position and check the luminaire is functioning.

*Requires L-Wrench torx key T20

Troubleshooting Guide

PROBLEM	CAUSE(S)	SOLUTION(S)
No Light Output From LEDs	No power to drive components	A qualified installer/electrician should check the Primary voltage side of the product to check the input voltage.
	Loose connection on circuit	Ensure continuous and correct connection between terminals.
	Overvoltage may have caused damage to the sensitive components	These cases are rare and the item may need replacement and/ or investigation as to the cause of failure.
LEDs Flashing	Incorrect voltage range being used	Please ensure there is a regulated AC voltage supply within the parameters of the luminaire. Failure to do so will void the warranty.
	LED driver may be connected to a mains dimmer switch	Please remove the dimmer switch and wire the unit to a switch, removing any mains dimmers or other dimmers on the primary side. Use of this product on a dimmer will void the warranty.
	Loose connection on circuit.	Ensure continuous and correct connection between the terminals.

Dimensions (mm)



ATTENTION

IF ANY PROBLEMS PERSIST, PLEASE CALL THE ALL LED TECHNICAL DEPARTMENT FOR FURTHER ASSISTANCE.